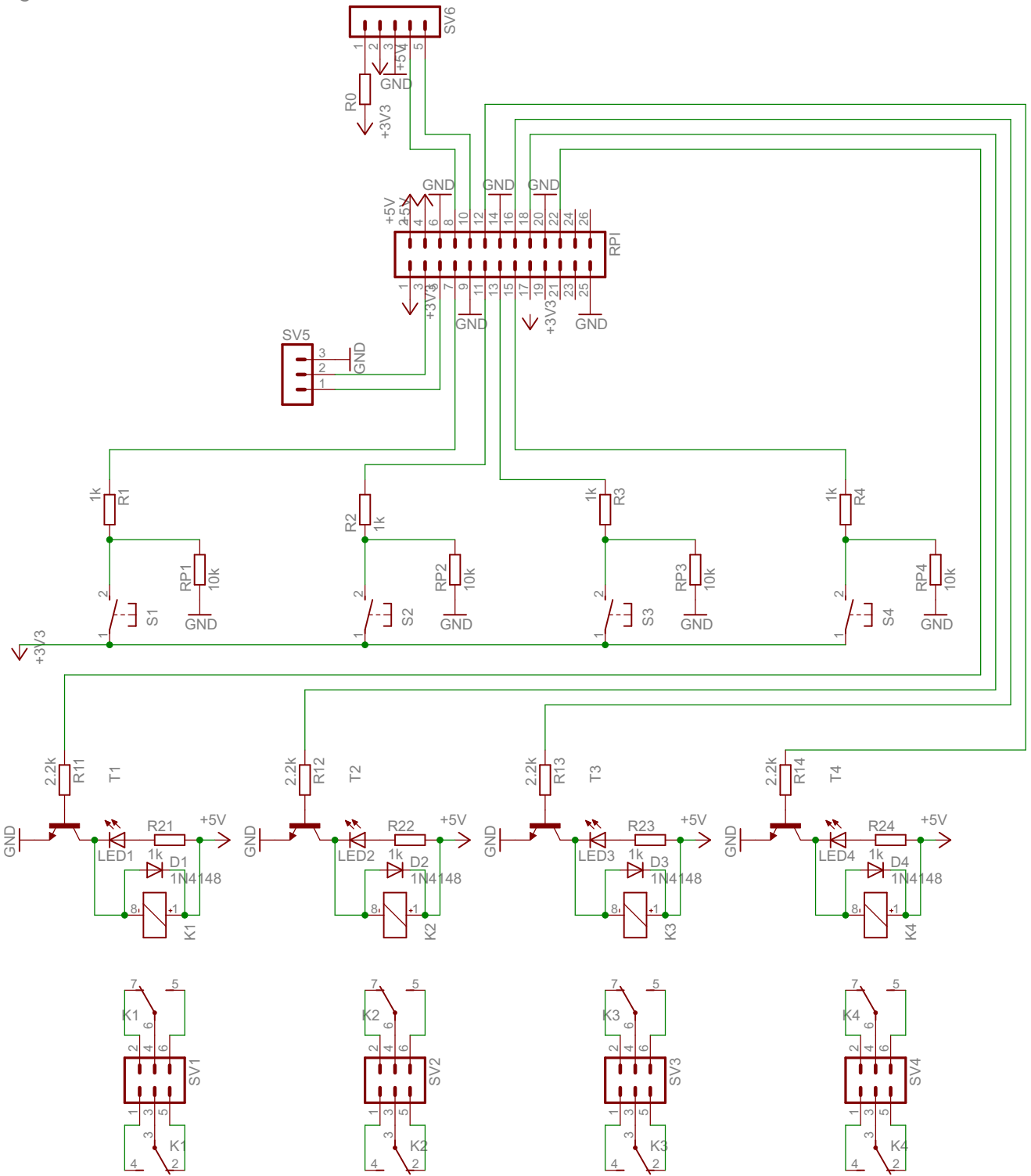


GND H1 MOUNT-PAD-ROUND3.0  
 GND H2 MOUNT-PAD-ROUND3.0



Date: 11/26/2013 2:14:41 AM

TITLE: schematic

Sheet: 1/1