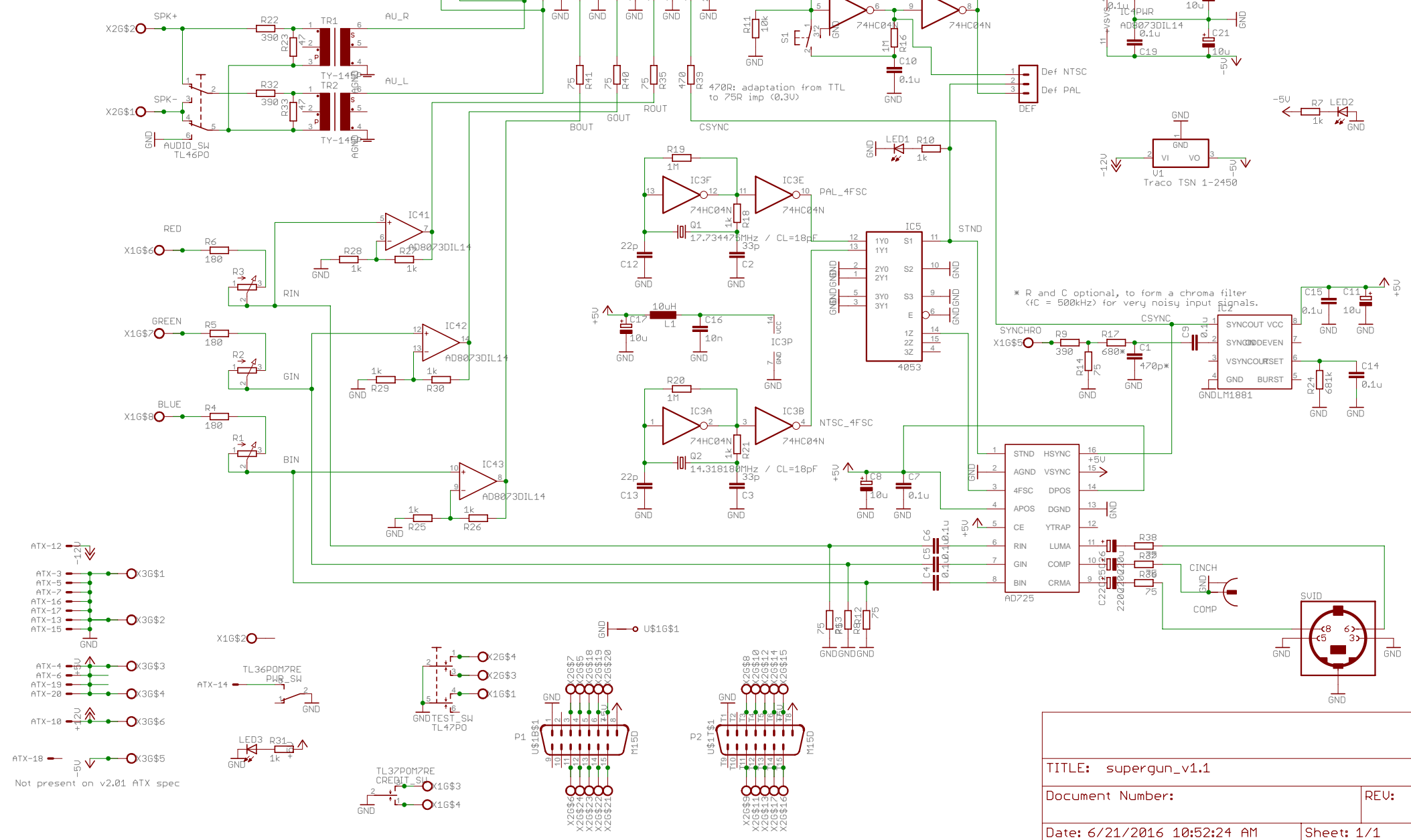


- GND H1 MOUNT-PAD-ROUND3.8
- GND H2 MOUNT-PAD-ROUND3.8
- GND H3 MOUNT-PAD-ROUND3.8
- GND H4 MOUNT-PAD-ROUND3.8



* R and C optional, to form a chroma filter (fC = 500kHz) for very noisy input signals.

TITLE: supergun_v1.1	
Document Number:	REV:
Date: 6/21/2016 10:52:24 AM	Sheet: 1/1